



PORTAFILL 3000ST TECHNICAL SPECIFICATION

SCREEN

- Bolted, 2 Deck, 2 Bearing Screen
- 2890 (9'5") x 1200 (4')
- Screen Deck Options –
 - Woven Wire Mesh
 - Piano/Harp Wire

MAIN CONVEYOR

- 800mm (32") Wide Main Belt

WING CONVEYORS

- 600mm (24") Wide Conveyors
- Retractable Head Drum
- Discharge Height 2700mm (8'10")
- Hydraulically folding for transport

FRONT CONVEYOR

- 800mm (32") Wide Conveyor
- Discharge Height 2400mm (7'11")
- Hydraulically folding for transport

TIPPING GRID

- Hydraulically Tipping Grid with Remote Control
- Replaceable Borox Grid Bars at 100mm Spacing
- Hopper Volume 3.25 cubic meters

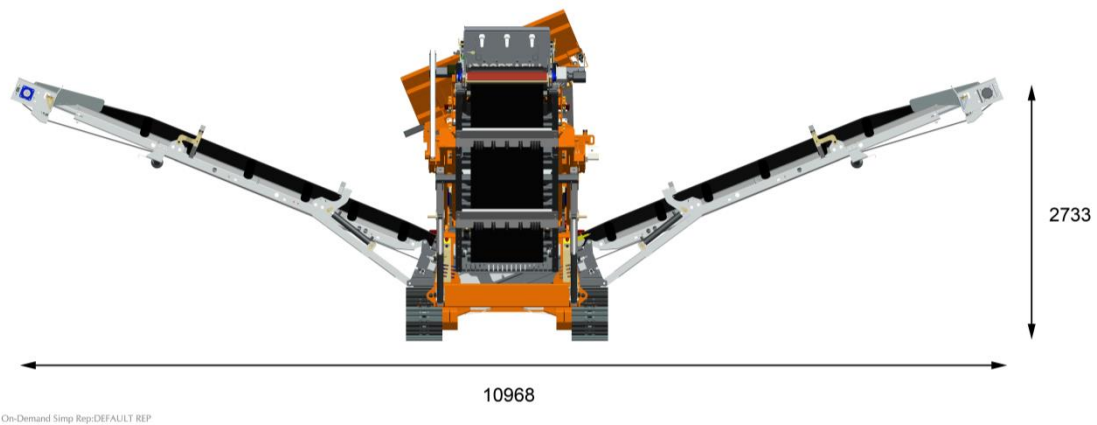
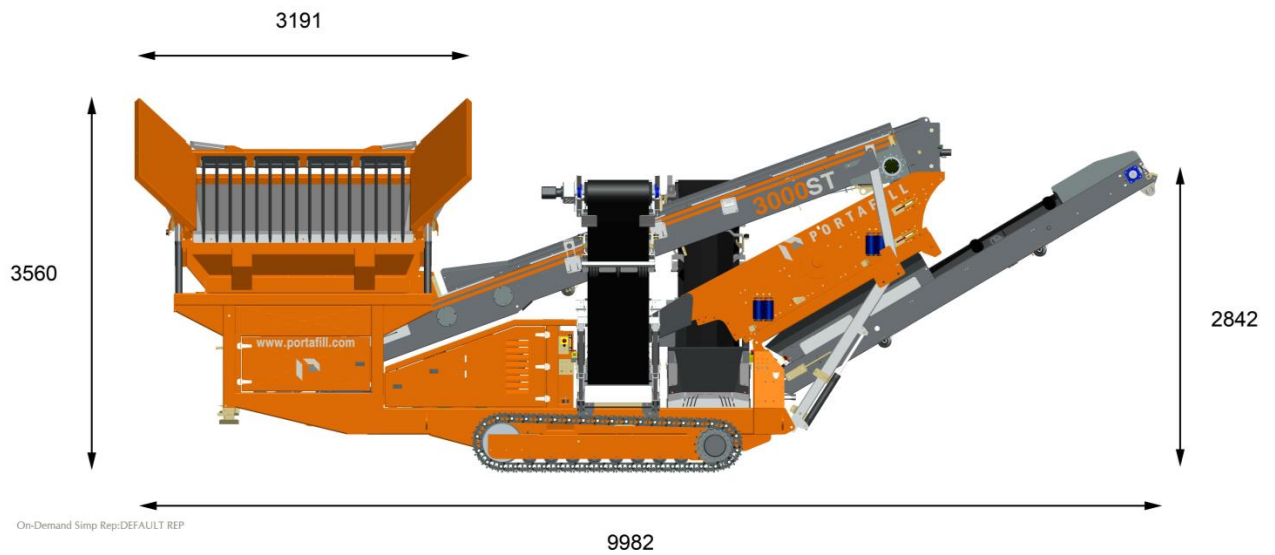
POWER

- Deutz D2011 L04I (EU Stage IIIa Tier 4 Interim) Diesel
- 41Kw – 55HP
- 100Ltr Capacity Diesel Tank
- 380Ltr Hydraulic Tank

**All drawing dimensions approximate and in millimetres. Portafill International reserves the right to alter the specification of these machine without notice.*



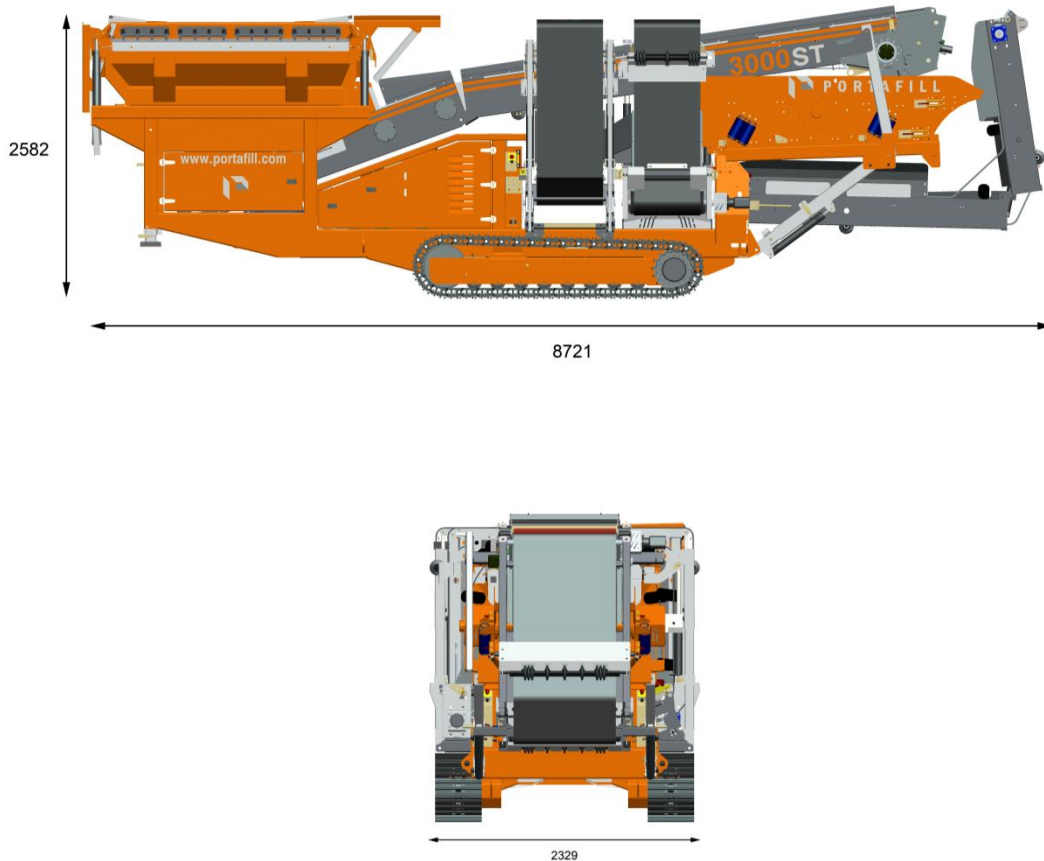
Working Dimensions 3000ST



**All drawing dimensions approximate and in millimetres. Portafill International reserves the right to alter the specification of these machine without notice.*



Transport Dimensions 3000ST



Transport Dimensions

- Transport Height 2582mm (8'5")
- Transport Width 2329mm (7'7")
- Transport Length 8721mm (28'7")

Weight

- 11,500kgs (Approx.)

**All drawing dimensions approximate and in millimetres. Portafill International reserves the right to alter the specification of these machine without notice.*